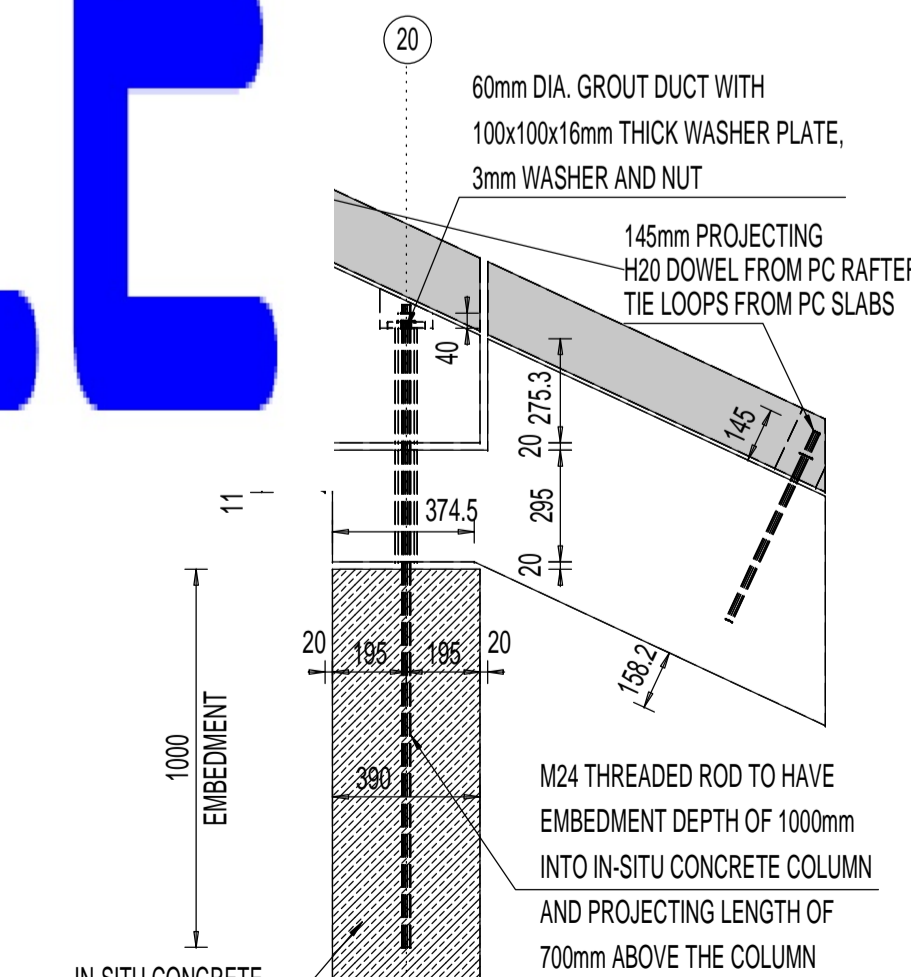
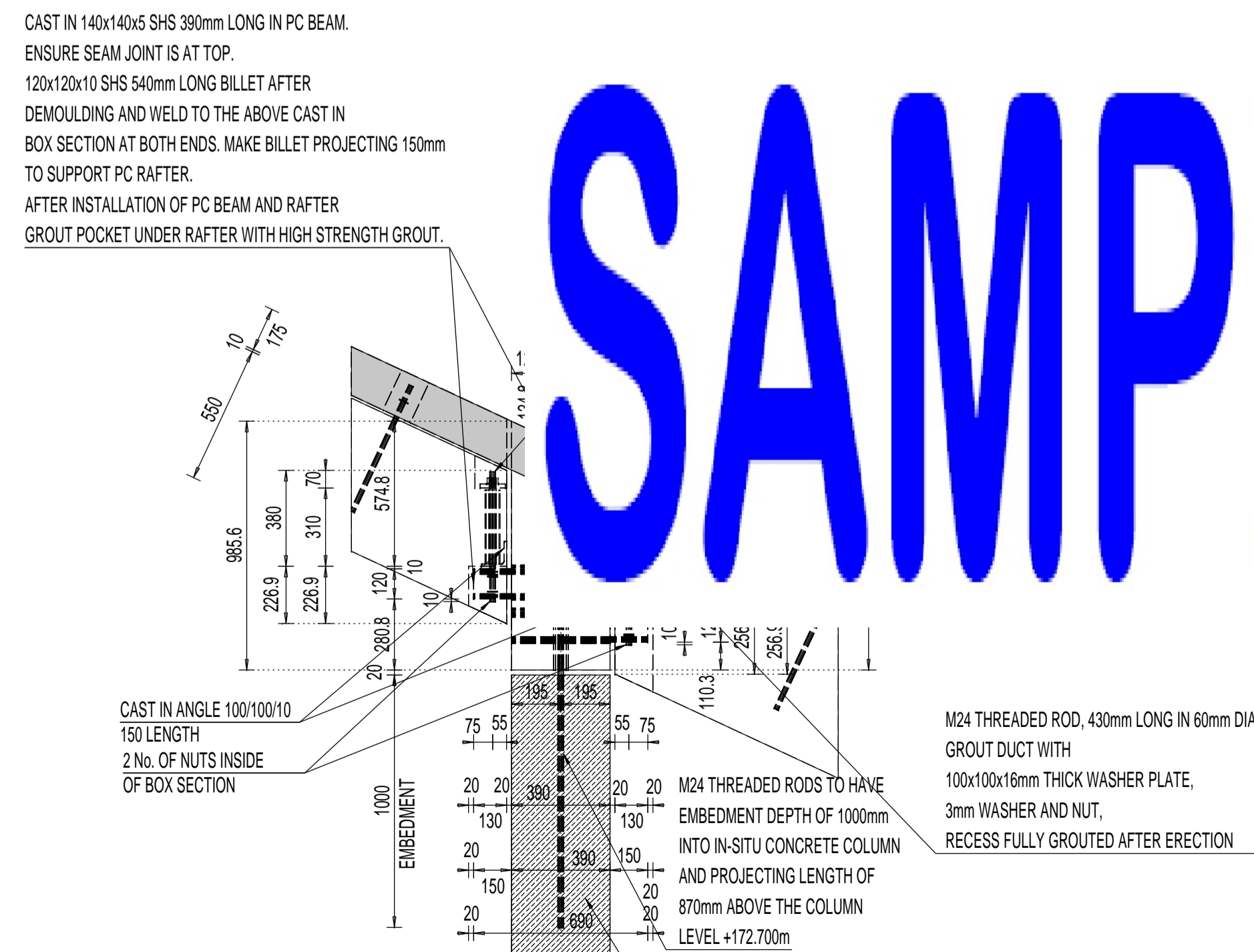
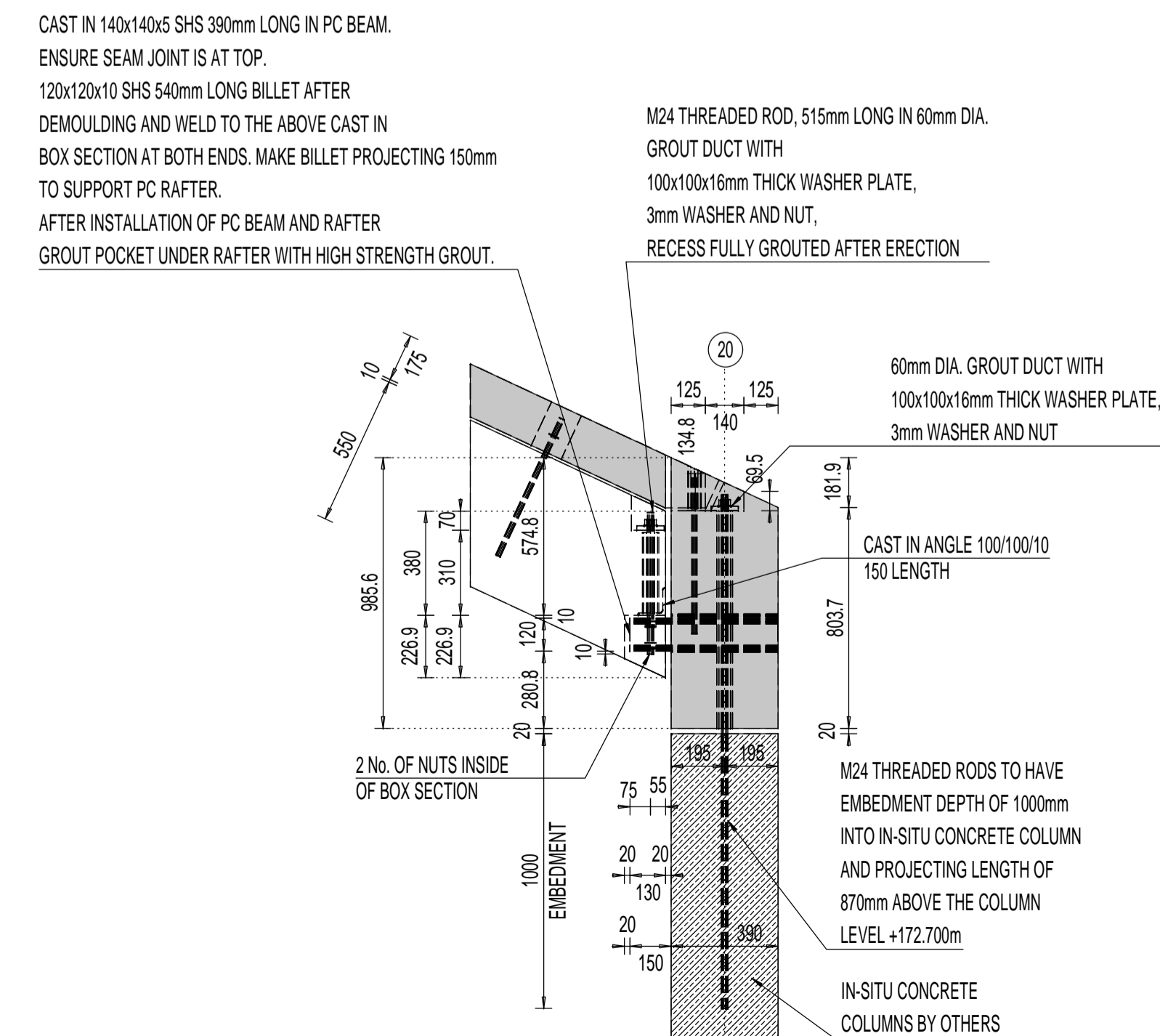


DETAIL S/20  
DETAIL S/18 - MIRRORED  
SCALE 1:20

DETAIL GRID S/20  
3D VIEW

DETAIL GRID P/20  
3D VIEW

DETAIL GRID Q/18  
3D VIEW



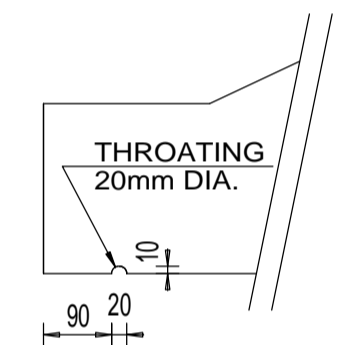
**SAMPLE**

COPYRIGHT Drawings, Specifications & Calculations supplied by [REDACTED] are subject to copyright & as such shall not be used, copied or issued to third parties for the purposes of design or procurement of alternative quotations, without the written approval of [REDACTED]

Project Manager:	[REDACTED]
Delivery Date:	[REDACTED]
Special Requirements:	NA
Contractor:	[REDACTED]
Contact (Contractor):	[REDACTED]
Designer:	[REDACTED]
Contact (Designer):	[REDACTED]

- NOTES:
- (1) Concrete Cube strength at 28 days to be 50N/sqmm.
  - (2) Steel reinforcements to B.S. 4449-05 (Grade B500B)
  - (3) Threaded rods Grade 8.8
  - (4) Nominal concrete cover to be as shown.
  - (5) Structural Steel Grade S 275 for all steel cast in elements

CHAMFERS 20 x 20 mm



SECTION THROUGH THROATING  
TYPICAL DETAIL  
SCALE 1:10

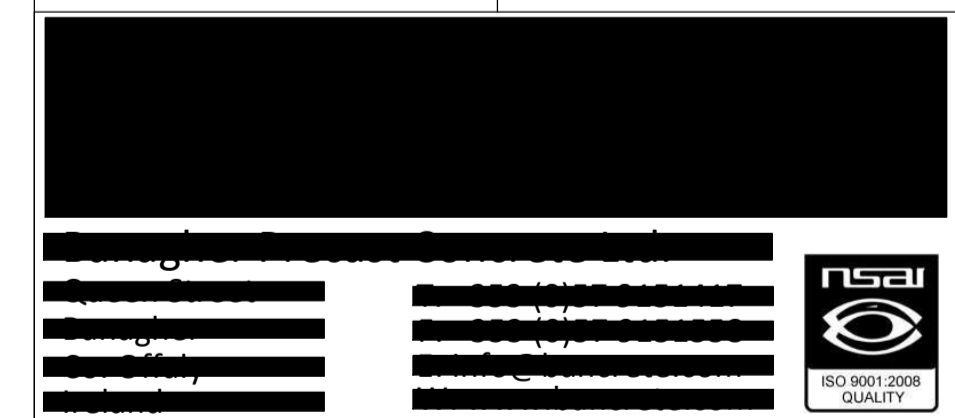
A	Steel plate connections along edge of beams and slabs added between G.L. O-P, P-Q & Q-R.	F.P.	J.K.	20.05.2012.
Rev	Description	Drawn	Chk'd	Date

**Safety, Health and Environment Information**  
In addition to the hazards/risks normally associated with the types of work detailed on this drawing, note the following risks and information: Please refer to Designer Risk Assessment.

Construction	
Dismantling/ Demolition (Future)	

For information relating to Use, Cleaning and Maintenance see the Health and Safety File. It is assumed that all works will be carried out by a competent contractor working, where appropriate, to an approved method statement.

CLIENT	ENGINEER
[REDACTED]	[REDACTED]



Project:  
STAGE 3

Title:  
PRECAST CONCRETE ROOF TO [REDACTED]  
DETAILS SHEET 2

Scales:	AS SHOWN	Issued by:	[REDACTED]	Date:	26/04/2012
Drawn by:	M. TOTH	Approved by:	[REDACTED]	Drawing No.:	BPC.08.358.159A
Designer Approval:	[REDACTED]	Contractor Appr.:	[REDACTED]	P.O. No.:	[REDACTED]

By Email